

WALL DISCHARGE



DESCRIPTION

The Prairie Heating slab wall discharge cap is used for venting air from inside a building to the outside by way of going through an exterior wall.

CONSTRUCTION

Made of 22GA or 24GA galvanized. Made to be installed with 12" x 1.75" and 12" x 2" Prairie Heating slab duct.

FEATURES

- Optional damper installed

GUARANTEE

Made in Canada. All Prairie Heating products are guaranteed against defective material. All testing performed by Intertek Testing Services NA Ltd. Warnock Hersey and Hardy Associates Ltd. Pressure rating (-1 to +2 water gauge).

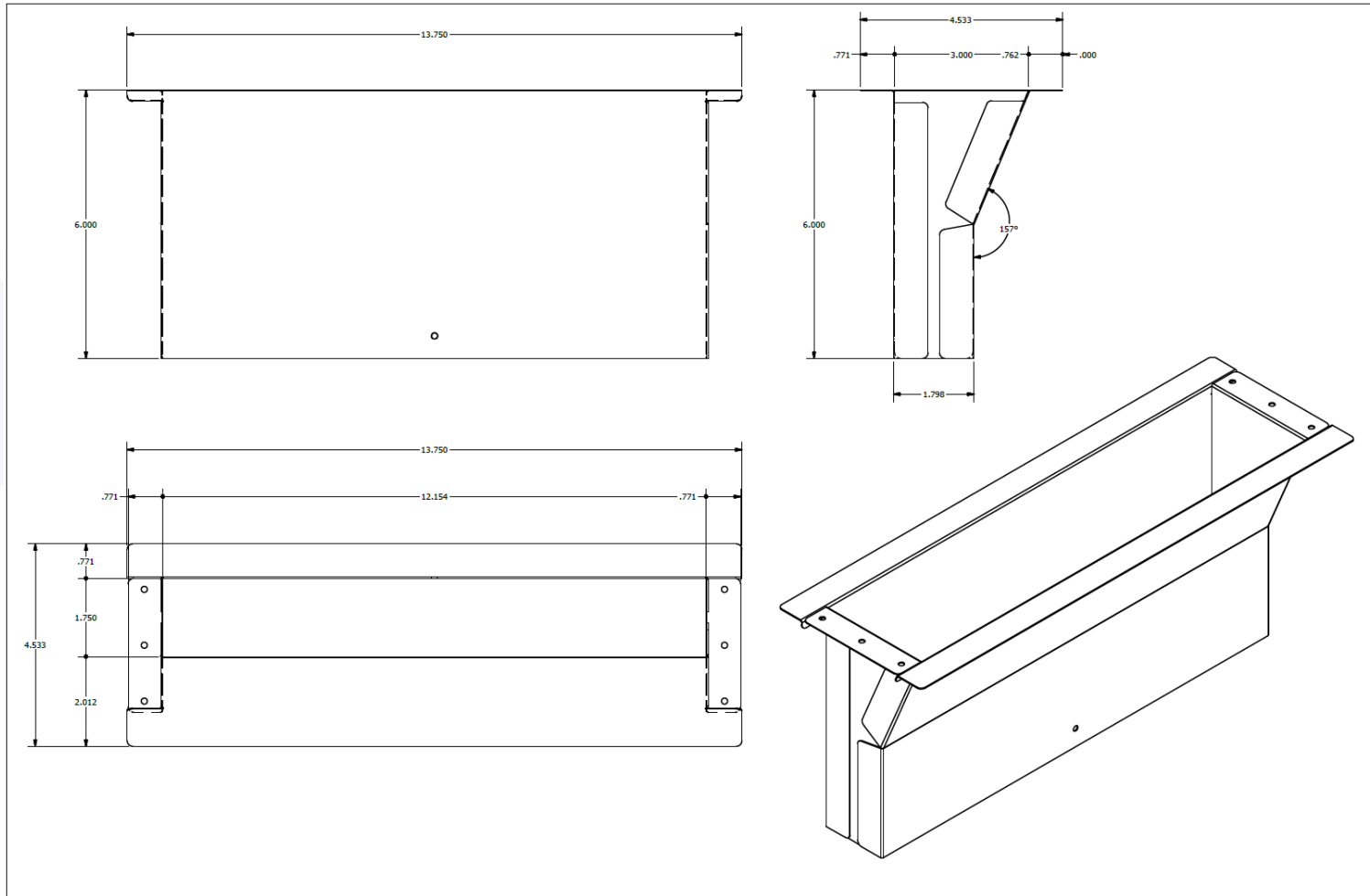
OPTIONAL CONSTRUCTION

Custom sizes available upon request to suit any and all applications.

Contact Prairie Heating Products for availability, pricing, and lead time.

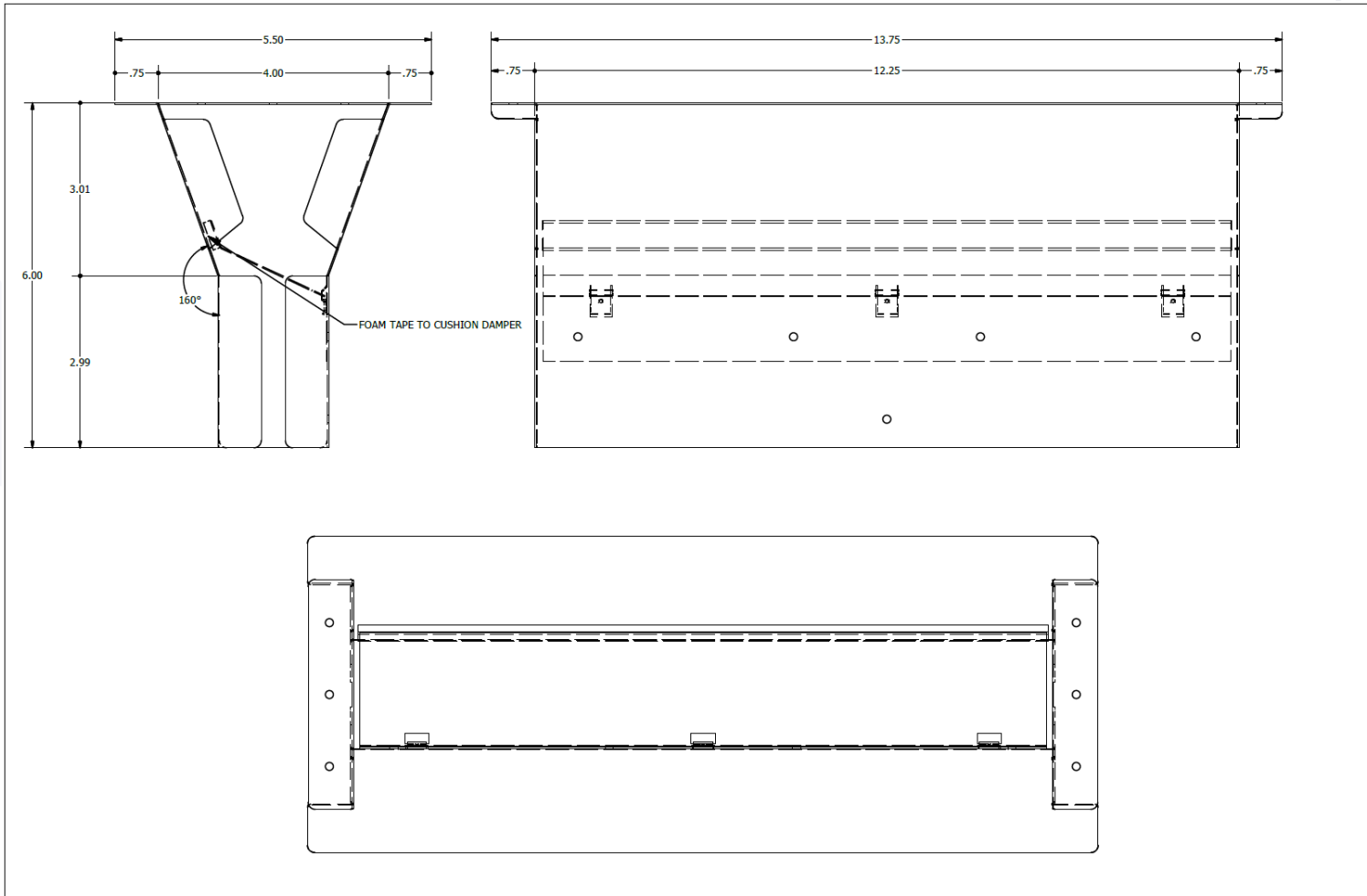
| PRODUCT CODE | A (IN) | B (IN) | C (IN) | # PER CARTON |
|--------------|--------|--------|--------|--------------|
| SWD/1750/24 | 12.25 | 4 | 1.88 | 14 |
| SWF/1750/24 | 12.25 | 4 | 1.88 | 16 |
| SWW/1750/24 | 12.25 | 4 | 1.88 | 14 |


WALL DISCHARGE



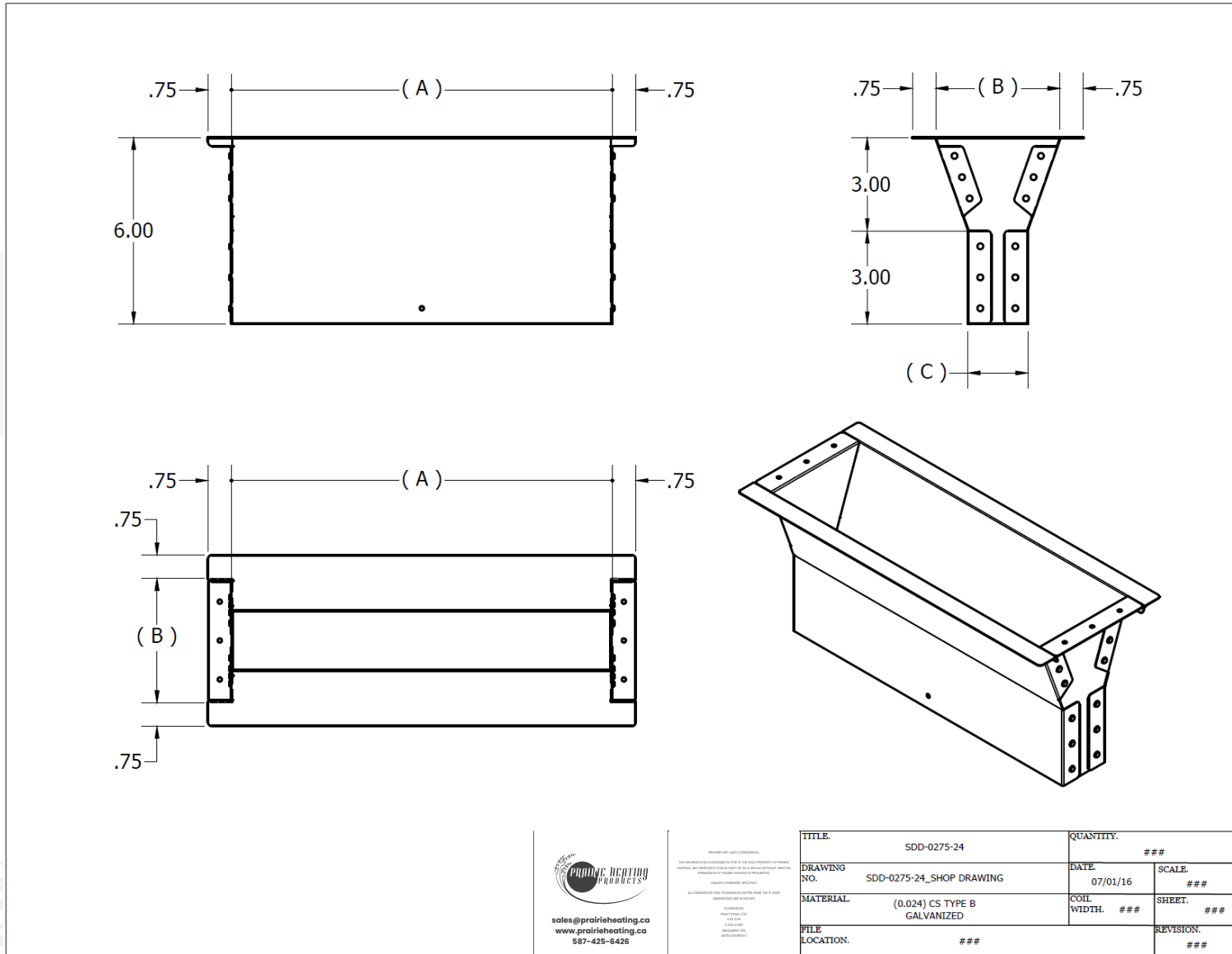
| | | | | | | |
|---|-----------|-------------|--|---------|-----------------|--|
| <small> POLYMER AND COPOLYMER THE INFORMATION CONTAINED ON THIS DRAWING IS THE PROPERTY OF PRAIRIE HEATING PRODUCTS AND IS NOT TO BE REPRODUCED OR TRANSMITTED IN ANY FORM OR BY ANY MEANS, ELECTRONIC OR MECHANICAL, INCLUDING PHOTOCOPYING, RECORDING, OR BY ANY INFORMATION STORAGE AND RETRIEVAL SYSTEM, WITHOUT PERMISSION IN WRITING FROM PRAIRIE HEATING PRODUCTS. ALL DIMENSIONS AND TOLERANCES ARE THE SAME UNLESS OTHERWISE SPECIFIED. DIMENSIONS IN PARENTHESES ARE FOR REFERENCE ONLY. PRAIRIE HEATING PRODUCTS 587-425-6426 WWW.PRAIRIEHEATING.CA </small> | NO. | DESCRIPTION | sales@prairieheating.ca www.prairieheating.ca 587-425-6426 | TITLE: | SWF-1750-00.iam | |
| | REVISION | | | DWG NO: | SWF-1750-00 | |
| | | | | REV: | SHEET 1 OF 2 | |
| | MATERIAL: | | | QTY: | | |
| | | | | | | |

WALL DISCHARGE



| | | | | | | |
|--|-----------|-------------|---|-------------------------------------|------------------------------|--------------|
| <small> PROPRIETARY AND CONFIDENTIAL THE INFORMATION CONTAINED ON THIS DRAWING IS THE PROPERTY OF PRAIRIE HEATING AND IS NOT TO BE REPRODUCED OR TRANSMITTED IN ANY FORM OR BY ANY MEANS, ELECTRONIC OR MECHANICAL, INCLUDING PHOTOCOPYING, RECORDING, OR BY ANY INFORMATION STORAGE AND RETRIEVAL SYSTEM, WITHOUT THE WRITTEN PERMISSION OF PRAIRIE HEATING PRODUCTS. </small> | NO. | DESCRIPTION |  sales@prairieheating.ca www.prairieheating.ca 587-425-6426 | TITLE: | SWW-1750-00 Galve Damper.iam | |
| | REVISION | | | DWG NO: SWW-1750-00 Galve Damper | REV: | |
| | MATERIAL: | QTY: | | | | SHEET 1 OF 6 |

WALL DISCHARGE



ALL DIMENSIONS ARE UNLESS OTHERWISE SPECIFIED.
UNLESS OTHERWISE SPECIFIED, DIMENSIONS ARE IN INCHES.
DIMENSIONS IN PARENTHESES ARE IN MILLIMETERS.
ALL DIMENSIONS ARE UNLESS OTHERWISE SPECIFIED.
UNLESS OTHERWISE SPECIFIED, DIMENSIONS ARE IN INCHES.
DIMENSIONS IN PARENTHESES ARE IN MILLIMETERS.

| | | | |
|----------------|------------------------------|-------------|----------|
| TITLE: | SDD-0275-24 | QUANTITY: | ### |
| DRAWING NO.: | SDD-0275-24_SHOP DRAWING | DATE: | 07/01/16 |
| MATERIAL: | (0.024) CS TYPE B GALVANIZED | SCALE: | ### |
| FILE LOCATION: | ### | COIL WIDTH: | ### |
| | | SHEET: | ### |
| | | REVISION: | ### |