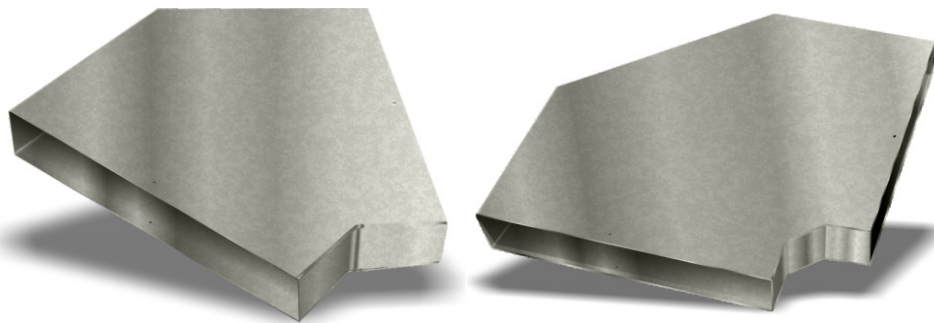


SLAB ELBOW



DESCRIPTION

The Prairie Heating slab inlet boot is used for transitioning from a round pipe off an exhaust fan outlet to slab exhaust duct.

CONSTRUCTION

Made of 22GA or 24GA galvanized. Made to be installed with 12" x 1.75" and 12" x 2" Prairie Heating slab duct.

FEATURES

- Firestop installed

GUARANTEE

Made in Canada. All Prairie Heating products are guaranteed against defective material. All testing performed by Intertek Testing Services NA Ltd., Warnock Hersey, and Hardy Associates Ltd. Pressure rating (-1 to +2 water gauge)

OPTIONAL CONSTRUCTION

Custom sizes available upon request to suit any and all applications.

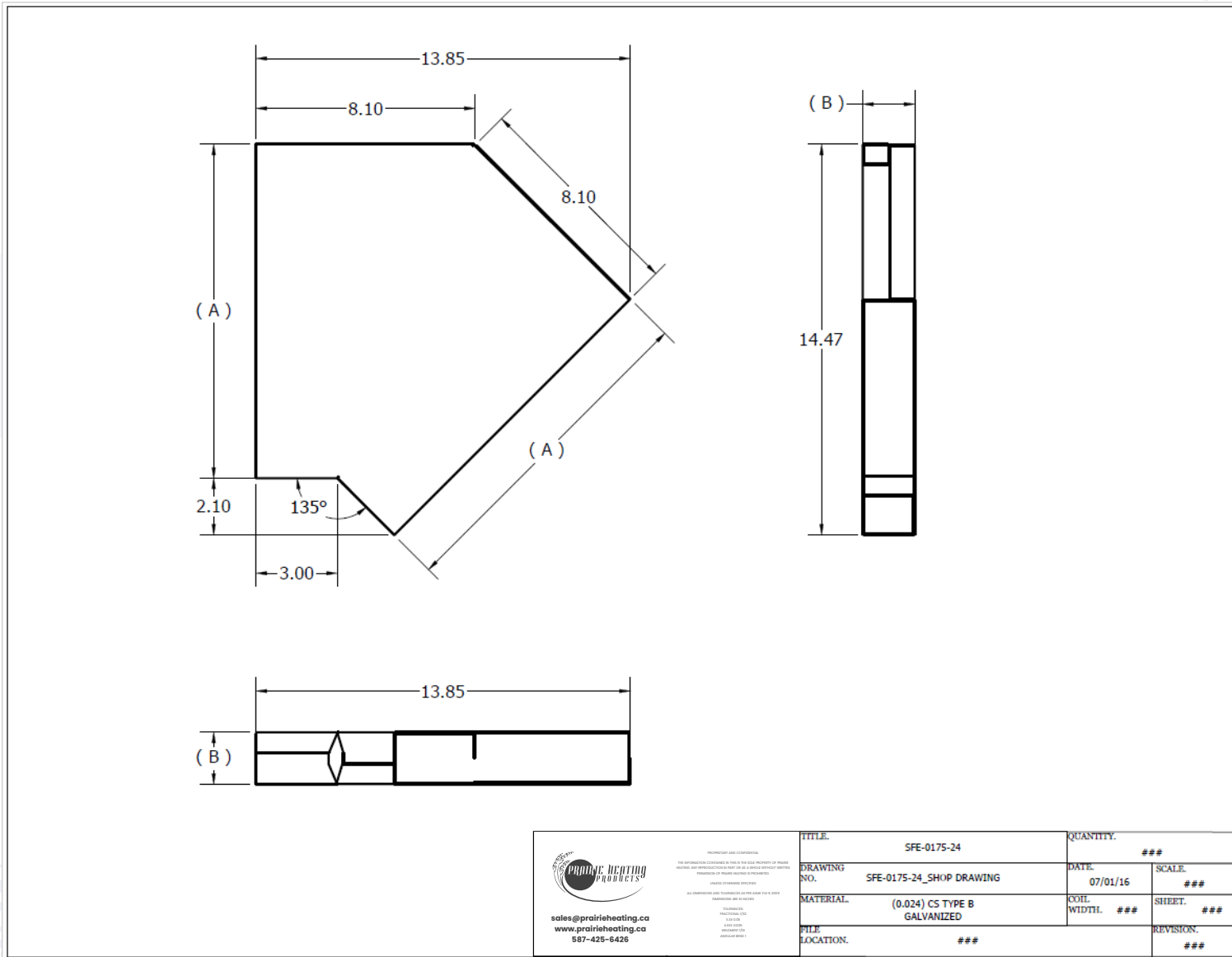
Contact Prairie Heating Products for availability, pricing, and lead time.

PRODUCT CODE	SIZE (A x B IN)	DEGREE	GAUGE	# PER CARTON
SNE/1750/24S	12 x 1.75	90 Shortway	24	10
SFE/1750/24	12 x 1.75	45 Longway	24	14
STE/1750/24	12 x 1.75	30 Longway	24	20

587-425-6426 | sales@prairieheating.ca | www.prairieheating.ca

Specifications are subject to change without notice or obligation. All Prairie Heating products are guaranteed against defective material.

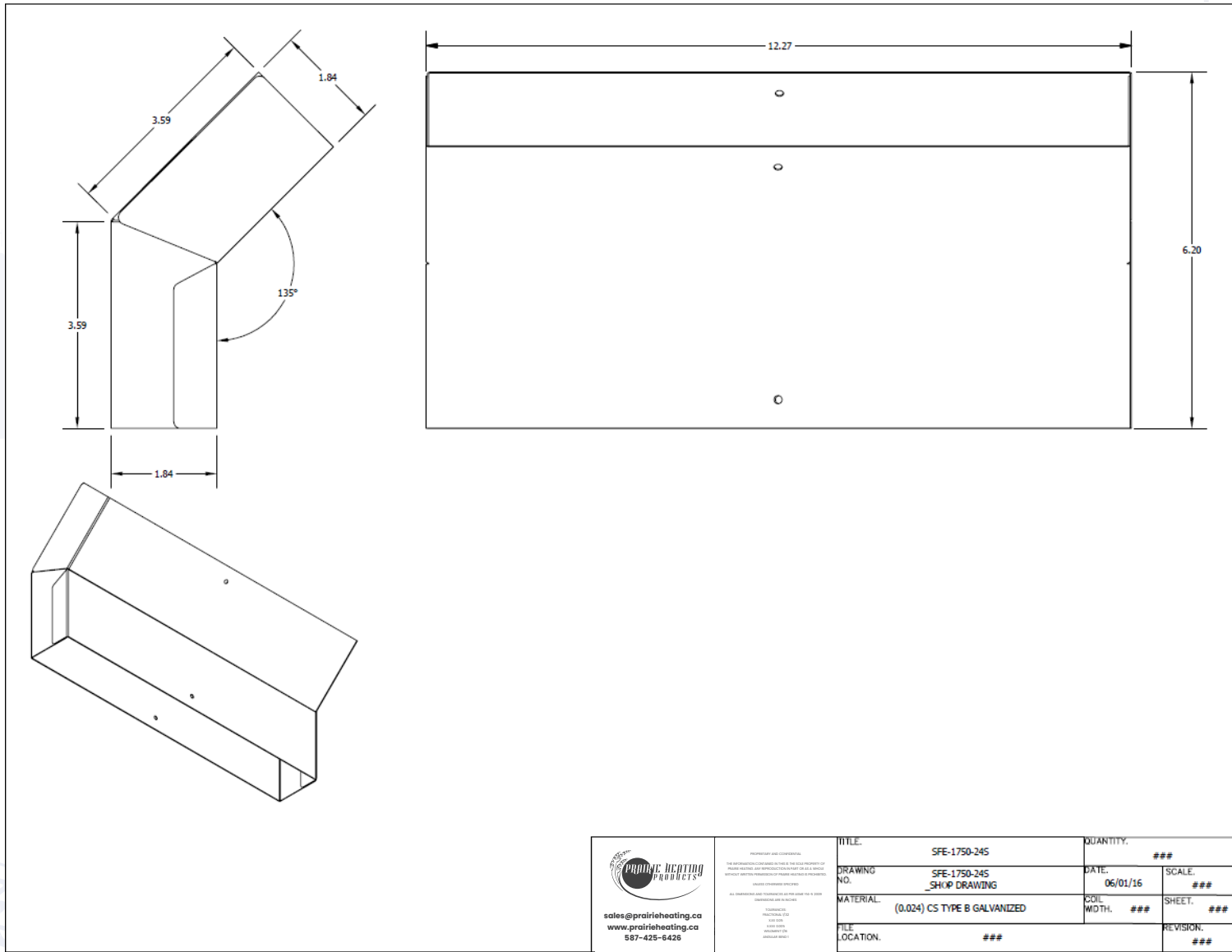
SLAB ELBOW



587-425-6426 | sales@prairieheating.ca | www.prairieheating.ca

Specifications are subject to change without notice or obligation. All Prairie Heating products are guaranteed against defective material.

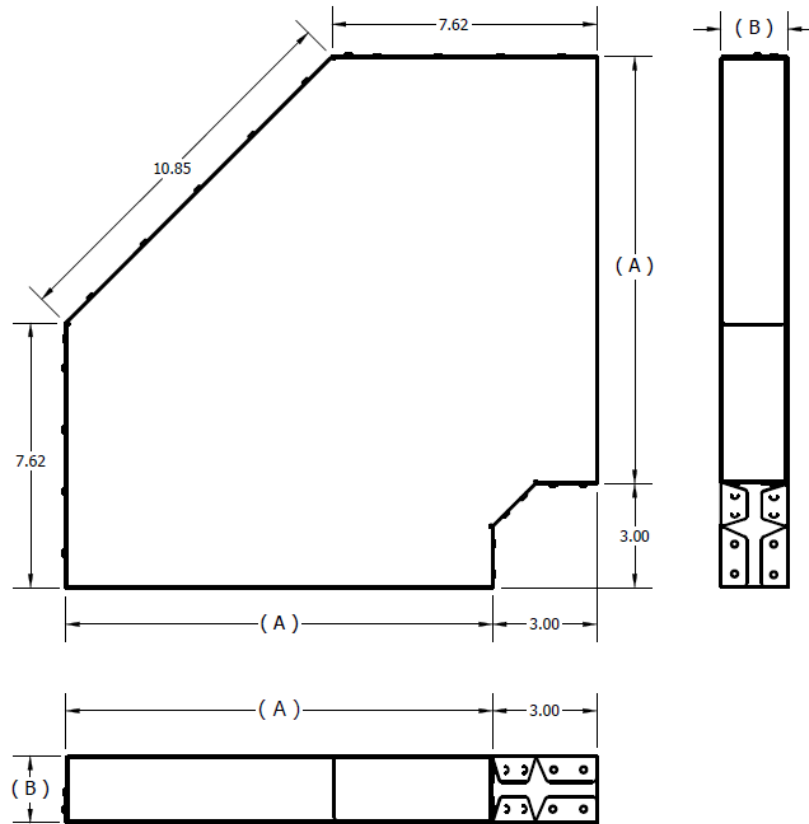
SLAB ELBOW



587-425-6426 | sales@prairieheating.ca | www.prairieheating.ca

Specifications are subject to change without notice or obligation. All Prairie Heating products are guaranteed against defective material.

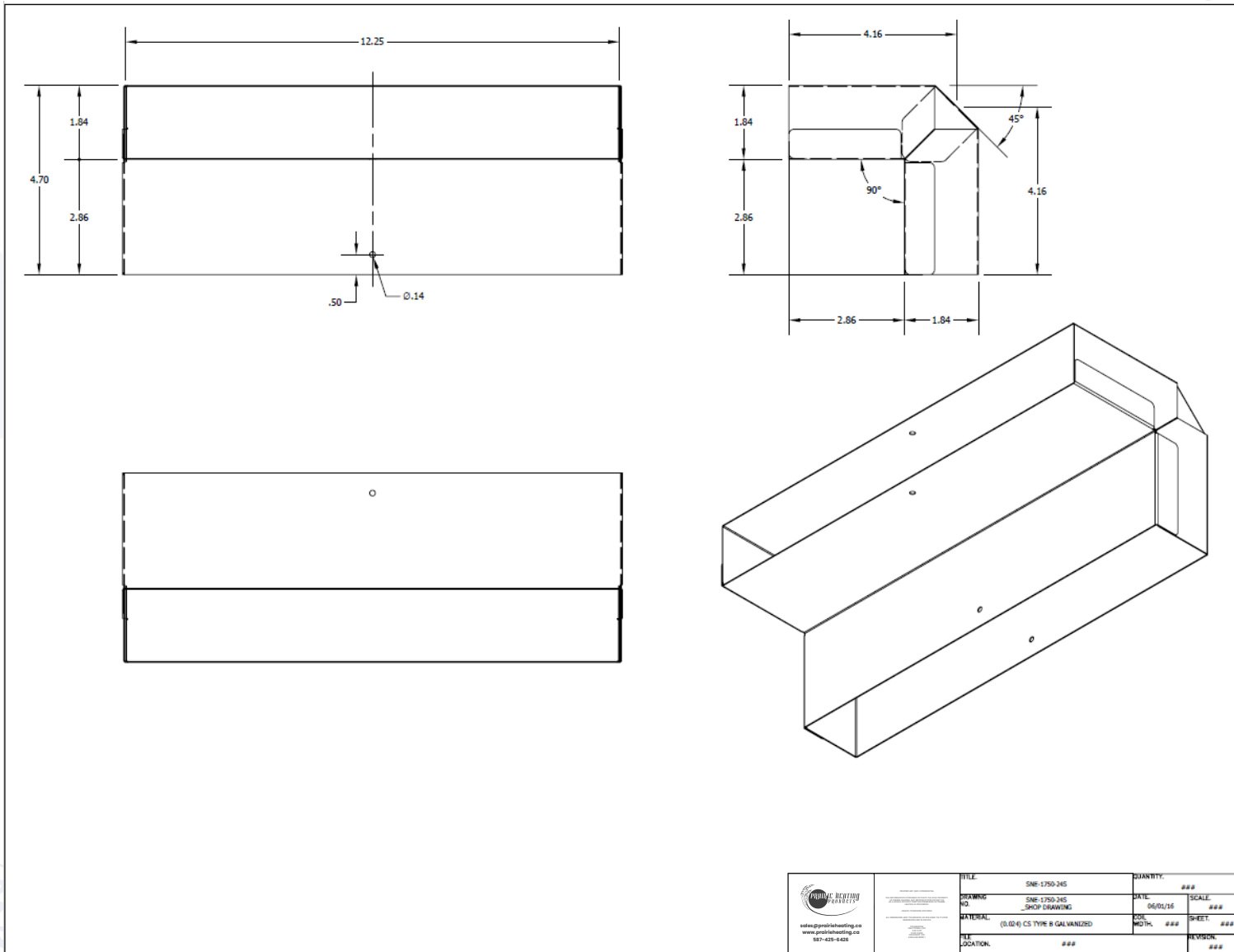
SLAB ELBOW



PROVISIONS AND CONDITIONS:
THE INFORMATION CONTAINED ON THIS IS THE SOLE PROPERTY OF PRAIRIE HEATING AND REPRODUCTION IN WHOLE OR IN PART WITHOUT WRITTEN PERMISSION OF PRAIRIE HEATING IS PROHIBITED.
UNLESS OTHERWISE SPECIFIED:
ALL DIMENSIONS UNLESS OTHERWISE SPECIFIED ARE IN MILLIMETERS AND AS SHOWN.
MANUFACTURED BY:
PRAIRIE HEATING LTD.
1000 20TH AVE.
SASKATOON, SASK.
S0N 0L0
CANADA

TITLE:	SNE-0175-24	QUANTITY:	###
DRAWING NO.:	SNE-0175_SHOP DRAWING	DATE:	06/01/16
MATERIAL:	(0.024) CS TYPE B GALVANIZED	SCALE:	###
FILE LOCATION:	###	COIL WIDTH:	###
		SHEET:	###
		REVISION:	###

SLAB ELBOW



587-425-6426 | sales@prairieheating.ca | www.prairieheating.ca

Specifications are subject to change without notice or obligation. All Prairie Heating products are guaranteed against defective material.