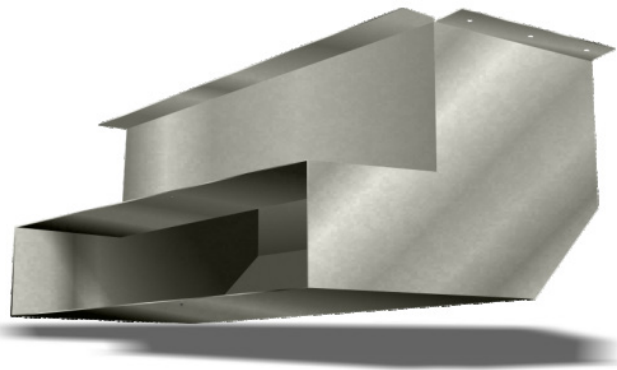


SLAB SOFFIT DISCHARGE



DESCRIPTION

The Prairie Heating slab soffit discharge is used for venting air from inside a building to the outside by way of going through the soffit.

CONSTRUCTION

Made of 22GA or 24GA galvanized. Made to be installed with 12" x 1.75" and 12" x 2" Prairie Heating slab duct.

FEATURES

- Firestop installed

GUARANTEE

Made in Canada. All Prairie Heating products are guaranteed against defective material. All testing performed by Intertek Testing Services NA Ltd. Warnock Hersey and Hardy Associates Ltd. Pressure rating (-1 to +2 water gauge).

OPTIONAL CONSTRUCTION

- Firestop material installed
- Optional damper installed
- Multiple throat dimensions

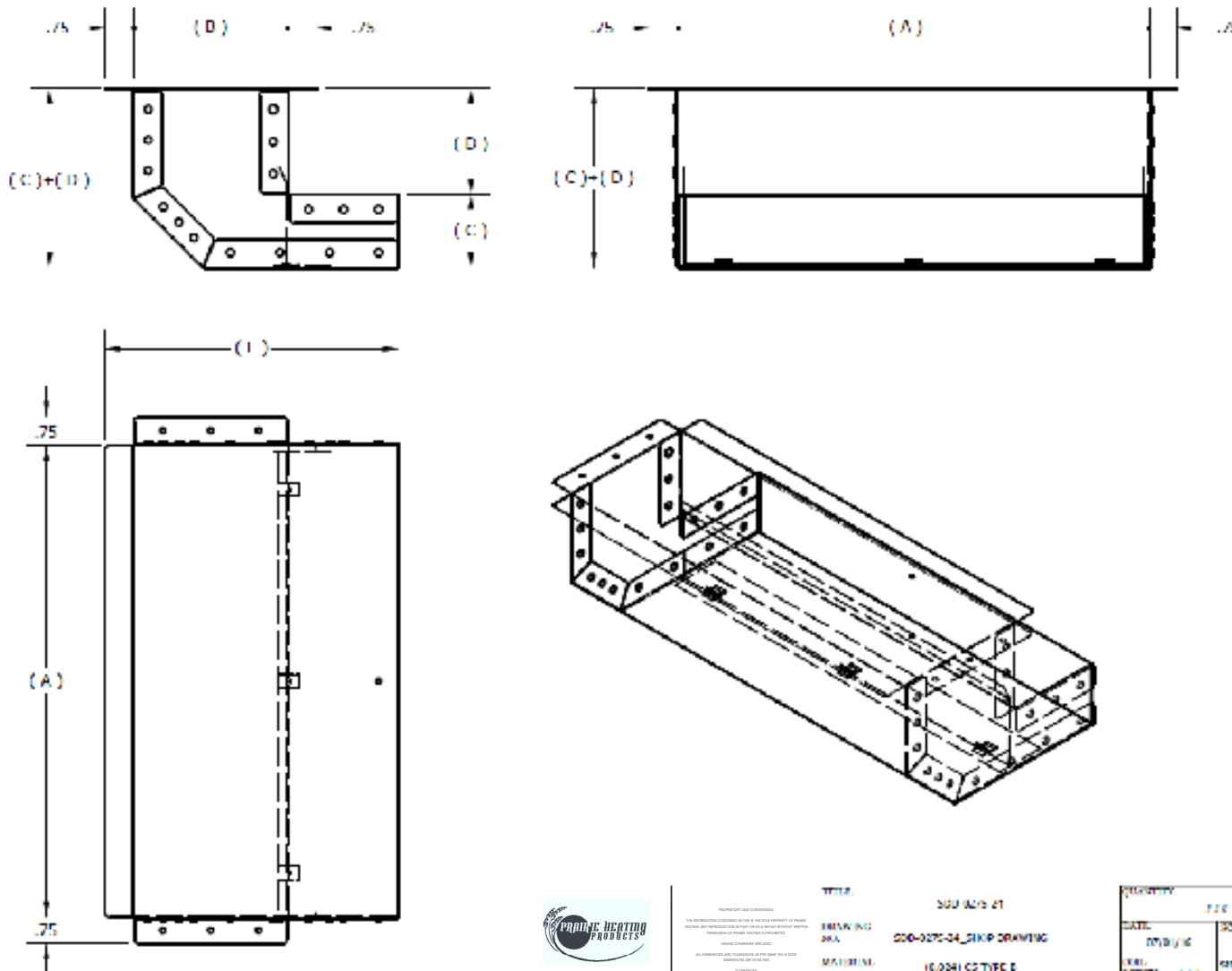
REPLACE SSD WITH SDD TO INCLUDE A DAMPER.

PRODUCT CODE	A (IN)	B (IN)	C (IN)	D (IN)	# PER CARTON
SSD/1218/24	12	4	1.8125	2.125	12
SSD/1275/24	12	4	1.86	2.75	10
SSD/1325/24	12	4	1.875	3.25	9

587-425-6426 | sales@prairieheating.ca | www.prairieheating.ca

Specifications are subject to change without notice or obligation. All Prairie Heating products are guaranteed against defective material.

SLAB SOFFIT DISCHARGE



sales@prairieheating.ca
www.prairieheating.ca
587-425-6426

ALL DIMENSIONS AND QUANTITIES ARE THE SAME UNLESS OTHERWISE SPECIFIED.
UNLESS OTHERWISE SPECIFIED:
MATERIAL: 16.0041 CS TYPE B GALVANIZED
FINISH: POLISHED
COLOR: RAL 9005
TOLERANCES: AS SHOWN

TITLE		QUANTITY	
DRAWING NO.	200-0275-04_SLOPP DRAWING	DATE	7/20
MATERIAL	16.0041 CS TYPE B GALVANIZED	REV.	07/19/16
FINISH	POLISHED	PRICE	###
TOLERANCES	AS SHOWN	QTY	###
		UNIT	###
		EXTENT	###
		REVISION	###

587-425-6426 | sales@prairieheating.ca | www.prairieheating.ca

Specifications are subject to change without notice or obligation. All Prairie Heating products are guaranteed against defective material.

SLAB SOFFIT DISCHARGE

