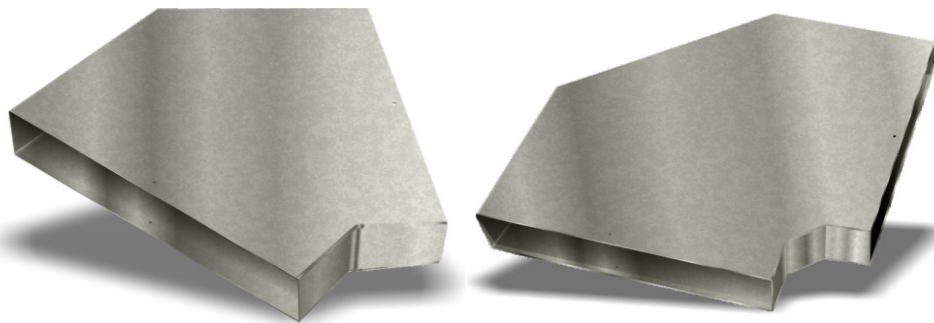


# SLAB ELBOW



## DESCRIPTION

The Prairie Heating slab inlet boot is used for transitioning from a round pipe off an exhaust fan outlet to slab exhaust duct.

## CONSTRUCTION

Made of 22GA or 24GA galvanized. Made to be installed with 12" x 1.75" and 12" x 2" Prairie Heating slab duct.

## FEATURES

- Firestop installed

## GUARANTEE

Made in Canada. All Prairie Heating products are guaranteed against defective material. All testing performed by Intertek Testing Services NA Ltd., Warnock Hersey, and Hardy Associates Ltd. Pressure rating (-1 to +2 water gauge)

## OPTIONAL CONSTRUCTION

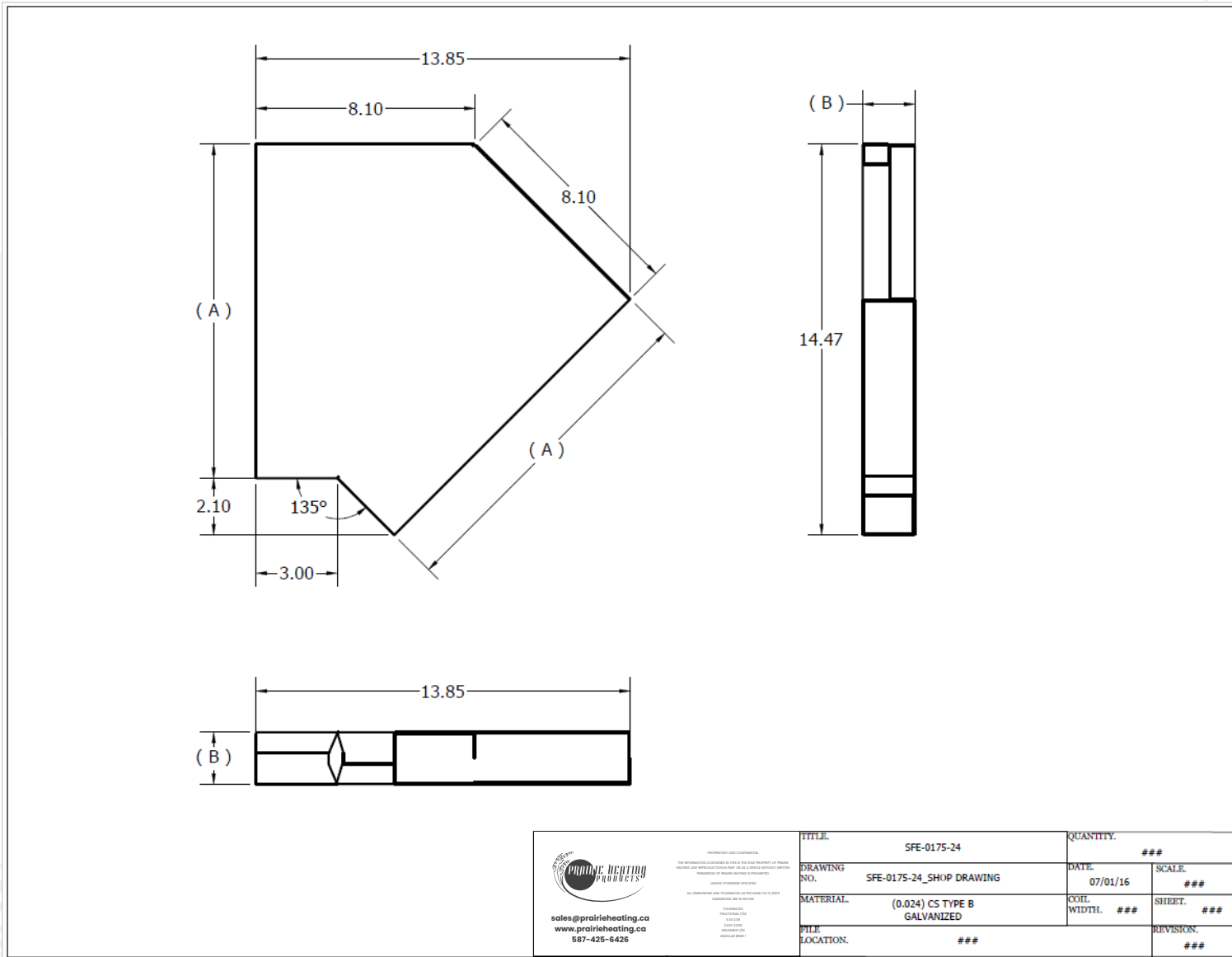
Custom sizes available upon request to suit any and all applications.

PRODUCT CODE	SIZE (A x B IN)	DEGREE	GAUGE	# PER CARTON
SNE/1750/24S	12 x 1.75	90 Shortway	24	10
SFE/1750/24	12 x 1.75	45 Longway	24	14
STE/1750/24	12 x 1.75	30 Longway	24	20

587-425-6426 | [sales@prairieheating.ca](mailto:sales@prairieheating.ca) | [www.prairieheating.ca](http://www.prairieheating.ca)

Specifications are subject to change without notice or obligation. All Prairie Heating products are guaranteed against defective material.

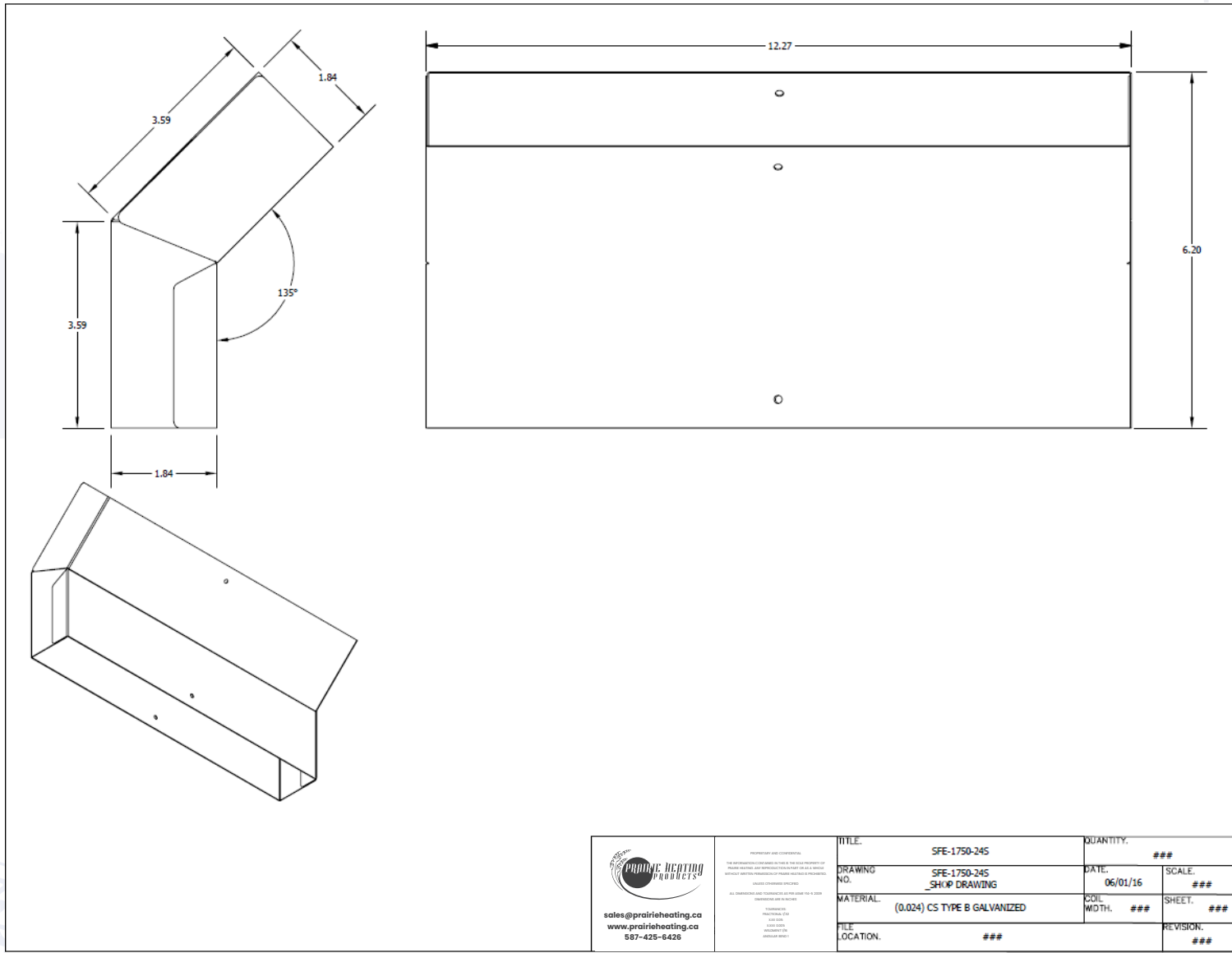
# SLAB ELBOW



587-425-6426 | sales@prairieheating.ca | www.prairieheating.ca

Specifications are subject to change without notice or obligation. All Prairie Heating products are guaranteed against defective material.

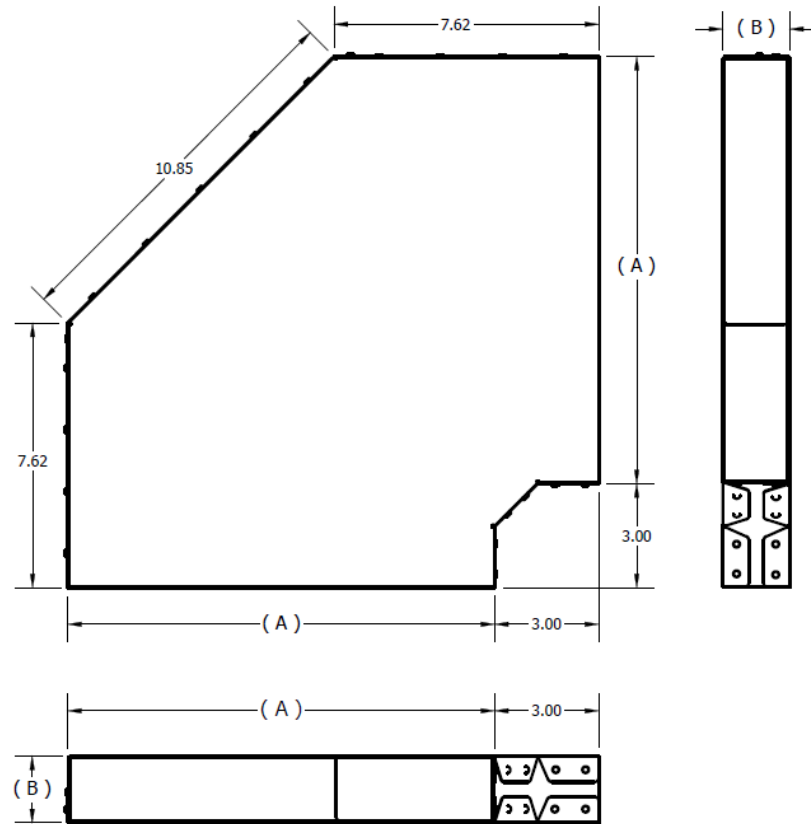
# SLAB ELBOW



587-425-6426 | sales@prairieheating.ca | www.prairieheating.ca

Specifications are subject to change without notice or obligation. All Prairie Heating products are guaranteed against defective material.

# SLAB ELBOW



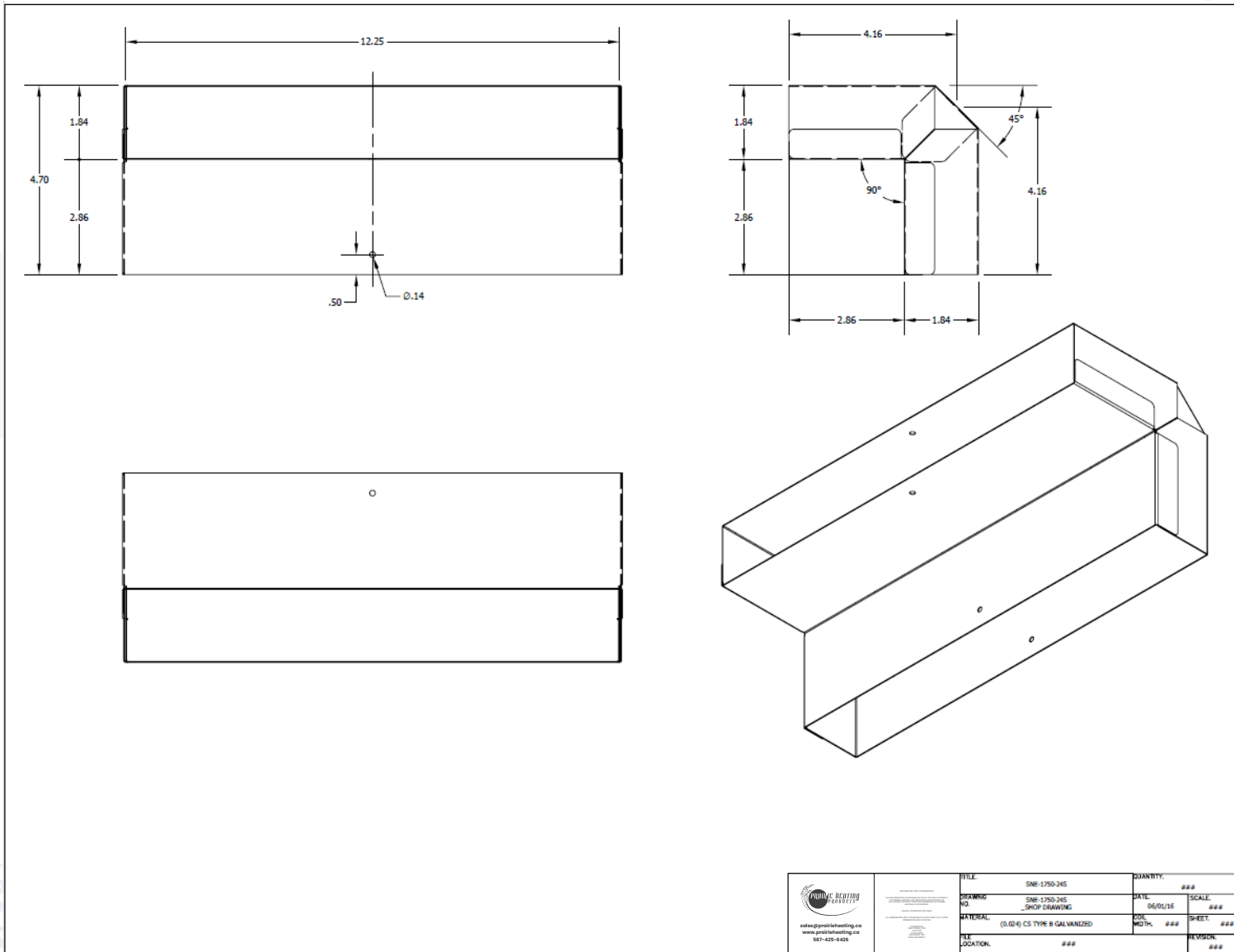
PROVISIONS AND COMMENTS:  
 THE INFORMATION CONTAINED ON THIS IS THE SOLE PROPERTY OF PRAIRIE HEATING AND REPRODUCTION IN WHOLE OR IN PART WITHOUT WRITTEN PERMISSION OF PRAIRIE HEATING IS PROHIBITED.  
 UNLESS OTHERWISE SPECIFIED:  
 ALL DIMENSIONS UNLESS OTHERWISE SPECIFIED ARE IN MILLIMETERS AND IN DECIMALS.  
 MANUFACTURED BY:  
 PRAIRIE HEATING LTD.  
 1000 20TH AVE.  
 WINDSOR, ONT.  
 L9A 4K1  
 CANADA

TITLE:	SNE-0175-24	QUANTITY:	###
DRAWING NO.:	SNE-0175_SHOP DRAWING	DATE:	06/01/16
MATERIAL:	(0.024) CS TYPE B GALVANIZED	SCALE:	###
FILE LOCATION:	###	COIL WIDTH:	###
		SHEET:	###
		REVISION:	###

587-425-6426 | sales@prairieheating.ca | www.prairieheating.ca

Specifications are subject to change without notice or obligation. All Prairie Heating products are guaranteed against defective material.

# SLAB ELBOW



<p>sales@prairieheating.ca www.prairieheating.ca 587-425-6426</p>	FILE:	SME-1750-245	QUANTITY:	###
	DRAWING:	SME-1750-245 _SHOP DRAWING	DATE:	06/01/16
	MATERIAL:	(0.004) CS TYPE B GALVANIZED	SCALE:	###
	LOCATION:	###	SHEET:	###
			REVISION:	###

587-425-6426 | sales@prairieheating.ca | www.prairieheating.ca

Specifications are subject to change without notice or obligation. All Prairie Heating products are guaranteed against defective material.